

Supplier's name or trade mark:	MEGAMAN GmbH
Supplier's address	Halskestraße 22-26, AircomParc A140880 RatingenGermany

Model identifier	STK714v0940
Equivalent Models	N/A

Technical Document

Useful luminous flux	2650
On-mode Power (P _{on})	32.4 W
Beam angle in degrees for directional light sources (DLS)	45
Peak luminous intensity in cd for directional light sources (DLS)	6000
Correlated Colour Temperature	4000 K
Chromaticity coordinates (x,y)	0.38, 0.38
Colour Rendering Index (CRI)	Ra 90
Standby Power (P _{sb})	N/A
Networked Standby Power (P _{net})	N/A
R9 colour rendering index value for LED and OLED light sources	25
Survival factor for LED and OLED light sources	0.90
Lumen maintenance factor for LED and OLED light sources	0.979
Indicative lifetime L70B50 for LED and OLED light sources	50000
Displacement Factor (cos φ1)	0.9
Colour Consistency	SDCM ≤ 4
Luminance for HLLS	N/A
Flicker metric (P _{stLM})	0.4
Stroboscopic effect metric (SVM)	0.4
Excitation purity for CTLS	N/A
Weighted Energy Consumption	33 kWh/1000hrs
Energy Efficiency Class	F
Outer dimensions in mm	
Height	120
Width	90
Depth	90
Standards Compliance	CE, RoHS

CALCULATIONS - GENERAL RULE

Refer to Annex II of Energy Labelling (EU) 2019/2015

Energy efficiency classes and calculation method

The energy efficiency class of light sources shall be determined as set out in Table 1, on the basis of the total mains efficacy η_{TM} , which is calculated by dividing the declared useful luminous flux Φ_{use} (expressed in *lm*) by the declared on-mode power consumption P_{on} (expressed in *W*) and multiplying by the applicable factor FTM of Table 2, as follows:

$$\eta_{TM} = (\Phi_{use}/P_{on}) \times FTM \text{ (lm/W)}$$

Table 1

Energy efficiency classes of light sources	
Energy efficiency class	Total mains efficacy η_{TM} (lm/W)
A	$210 \leq \eta_{TM}$
B	$185 \leq \eta_{TM} < 210$
C	$160 \leq \eta_{TM} < 185$
D	$135 \leq \eta_{TM} < 160$
E	$110 \leq \eta_{TM} < 135$
F	$85 \leq \eta_{TM} < 110$
G	$\eta_{TM} < 85$

Table 2

Factors FTM by light source type	
Light source type	Factor FTM

Non-directional (NDLS) operating on mains (MLS)	1,000
Non-directional (NDLS) not operating on mains (NMLS)	0,926
Directional (DLS) operating on mains (MLS)	1,176
Directional (DLS) not operating on mains (NMLS)	1,089

ADDITIONAL PART

A list of compatible dimmers shall be provided on the website www.megaman.cc

MEGAMAN | WEEE - Green Room | LED, Energy-efficient & Eco-friendly Lighting, Restriction of Hazardous Substances

<https://www.megaman.cc/resources/green-room/weee>

MEGAMAN GmbH
Halskestraße 22-26, AircomParc A1
40880 Ratingen
Germany



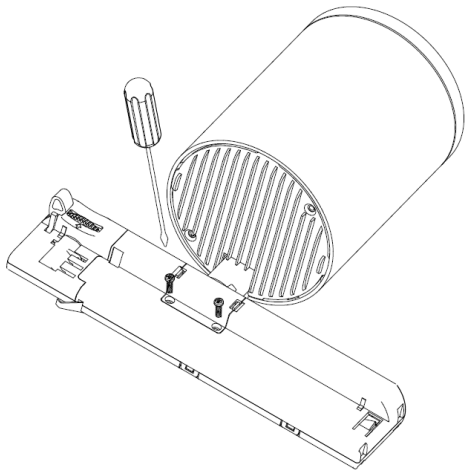
Applicable Light Source Model Identifier	Applicable Containing Product Model Number	Light source Input Current (mA)	Light source Rated Voltage (V)
STK714v0830	FTK71400v0-db+025D045D	900	DC36
STK714v0840	FTK71400v0-db+025D045D	900	DC36

Light source: Removable

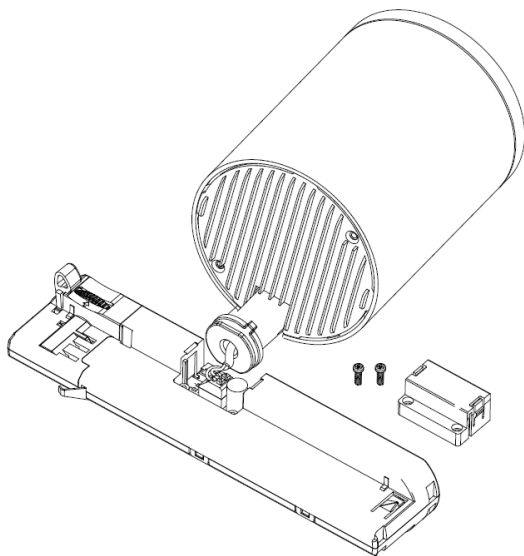
1、 First, Turn off power at mains supply



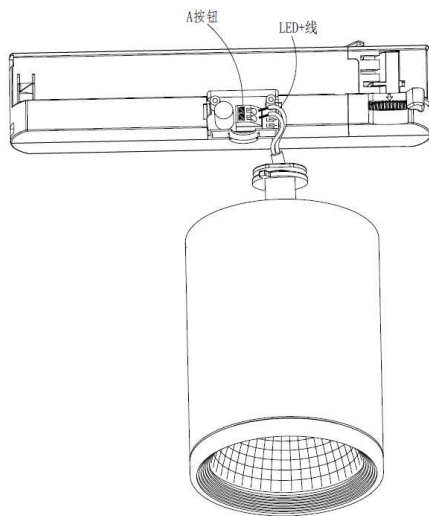
2. unscrew the screw



3. take out the cap



4. push the terminal and take out wires



5. Light source

